



CAJUN BANDIT ASSEMBLY INSTRUCTIONS

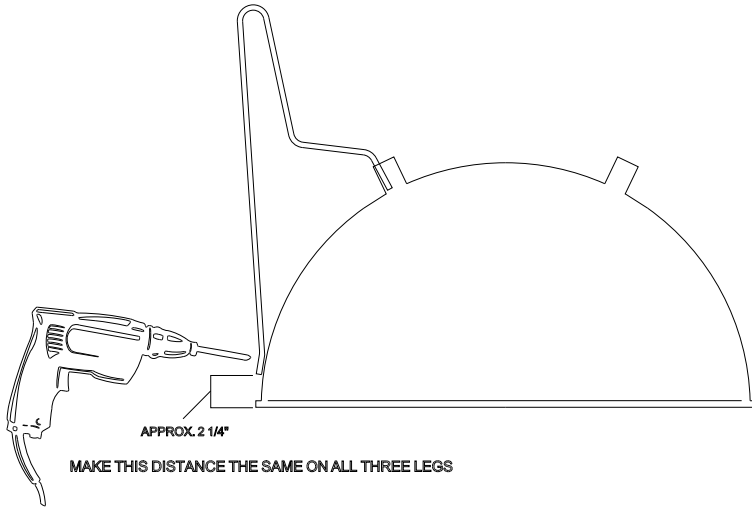


FIG. 1

DRILL HOLES FOR ALL THREE LEGS
AS SHOWN IN FIG. 1
WITH DRILL BIT PROVIDED

ATTACH WITH STAINLESS HARDWARE
SHOWN ON PAGE ONE

WITH NUT AND WASHER
ON THE INSIDE OF KETTLE
AND BOLT HEAD ON OUTSIDE

NOTE: YOU ARE NOT ATTACHING
YOUR FINGERS TO THE GRILL
SO DONT DRILL THROUGH THEM
BE CAREFULL

FOR ON TOUCH SILVER AND OLDER MODEL KETTLES ONLY

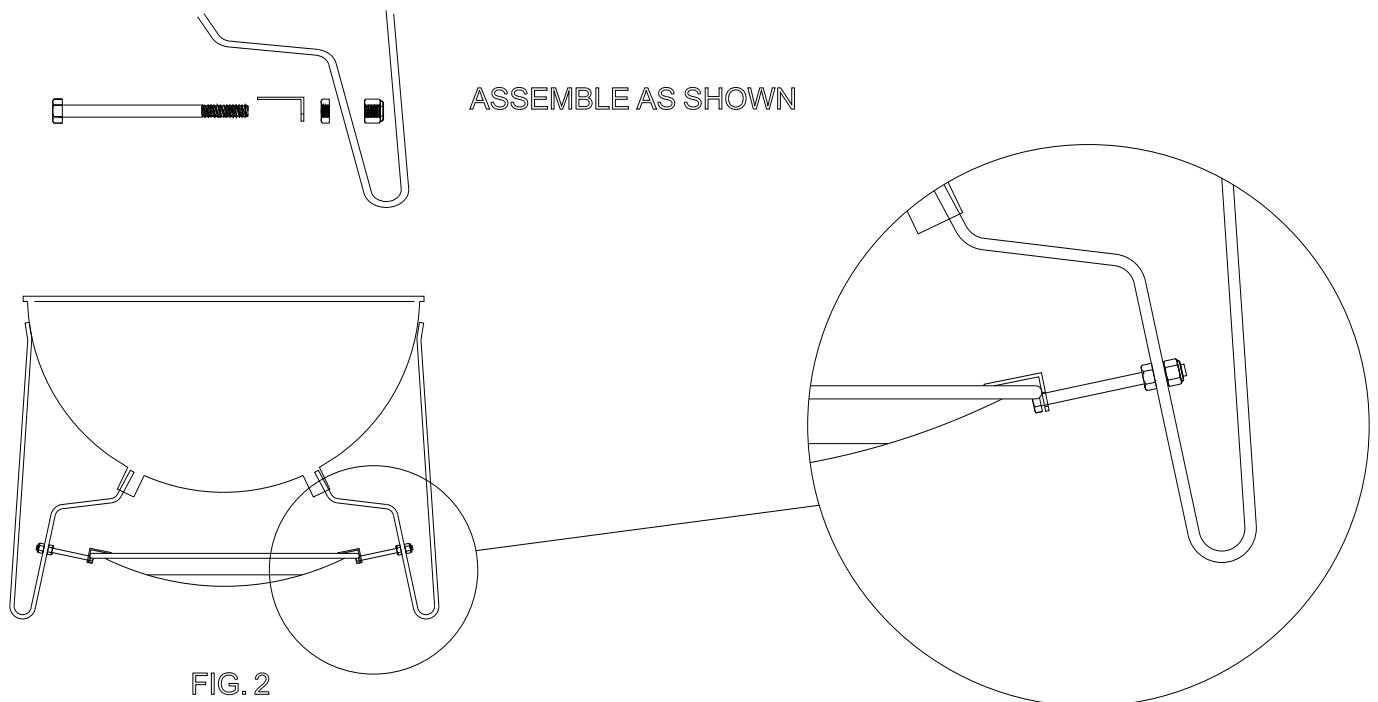


FIG. 2